



Scan to go to website

WM-8P Quick Start Guide

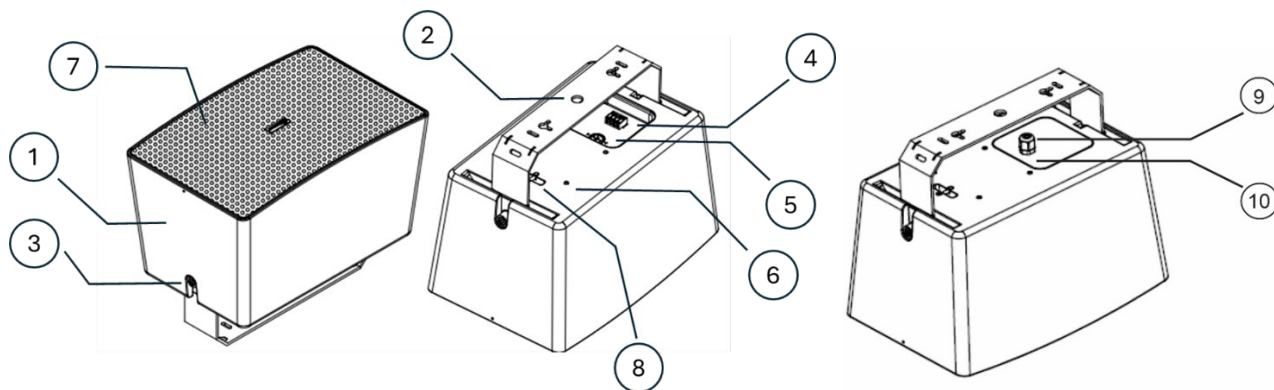
This guide helps you install and use your WM-8P for the first time.

Go to <http://www.kramerav.com/downloads/WM-8P> to download the latest user manual and check if firmware upgrades are available.

Step 1: Check what's in the box

- ✓ 1 WM-8P 8" two-way Wall Mounted Passive Speaker
- ✓ 1 EasyMount mounting bracket
- ✓ 2 bracket screws
- ✓ 1 4-pin pluggable Euroblock connector, 28-12AWG
- ✓ 1 L-Shaped Allen key (M6)
- ✓ 1 Quick start guide
- ✓ 1 Grommet
- ✓ 1 Protective Cover

Step 2: Get to know your WM-8P



#	Feature	Function
1	Speaker	Speaker body
2	EasyMount Bracket	For mounting the bracket in horizontal or vertical position as well as in corners
3	Mounting bracket screws	For securing the EasyMount bracket to the speaker and adjusting the angle
4	Terminal connector	4-pin pluggable Euroblock connector, 28-12AWG for connecting the speaker cables
5	Transformer tap selector	For selecting between 8Ω low-impedance modes and 70V/100V high-impedance modes
6	75mm VESA mounting threads	Standard 75mm VESA mounting threads for alternative mounting options
7	Speaker grill	Speaker's grill
8	Safety anchor point	Secondary safety anchor point for securing a seismic restraint cable
9	Protective Cover	Protects speaker cables and tap selector
10	Cable Gland/Grommet	Waterproof cable passthrough and strain relief

Step 3: Key Features

- Exceptional sound performance
- Low-impedance (8Ω) / high-impedance (70V/100V)
- Power handling: 60 W continuous / 80 W peak
- Sensitivity (1W@1m, free field): 90dB SPL
- Maximum SPL (@1m): Continuous 108dB SPL / Peak 109dB SPL
- UL1480A certified
- Eco-friendly mono-material packaging



Step 4: Achieving the Best Performance

To achieve the best performance:

- Use only good quality speaker cables (we recommend Kramer high-performance, BC-2S cables and for plenum installations we recommend the low smoke halogen free cables, BC-2Sxx/LSHF).
- Do not secure the cables in tight bundles or roll the slack into tight coils
- Avoid interference from neighboring electrical appliances that may adversely influence signal quality

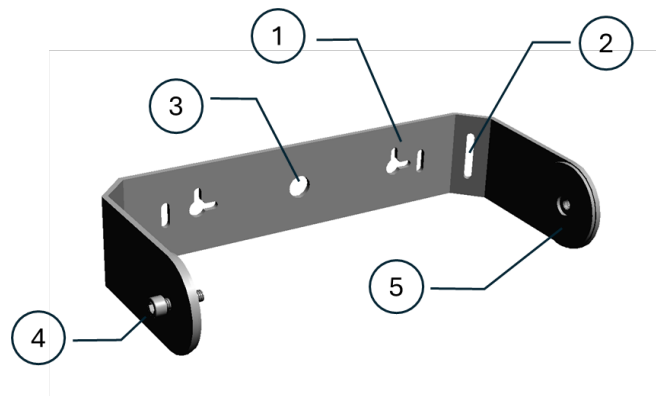
Step 5: Choosing the Best Location

- Plan the location of the speakers based on the designated listening area, the height of the ceiling and dispersion angle of the speakers.
- Wall Type Suitability: Ensure the wall is appropriate for mounting the speaker weight.
- Obstruction Check: Verify the mounting location is free of obstructions like electrical piping, AC ducts, or water lines.
- Recommended orientation - horizontal installation: Angle the speaker slightly downward towards the listener for better sound distribution.
- Ceiling Clearance: Avoid placing speakers too close to the ceiling to prevent sound distortion.
- Avoid Reflective Surfaces: Minimize placement near glass, tiles, or other reflective materials to reduce unwanted echo or reverb.

Step 6: Unpacking

1. Carefully remove the speaker and mounting accessories from the packaging.
2. Inspect all components for damage before proceeding.
3. Dispose of the packaging materials according to regulations.

Step 7: Mounting the Speaker



1. Prepare the speaker cable – the recommended location is behind the central hole in the EasyMount bracket (3).
2. Install the EasyMount bracket in the designated location on the wall, for horizontal and vertical installations use the designated holes in the back of the bracket (1), for installation in corners use the designated holes for corner installation (2).
3. Mount the speaker to the EasyMount bracket, secure it with the two screws (4) that are supplied with the speaker.
4. Adjust the required angle of the speaker and tighten the screws with the L-shaped Alan Key (supplied with the speaker), the friction pads (5) will ensure the speaker is fixed in its location.

Step 8: Wiring the Speaker

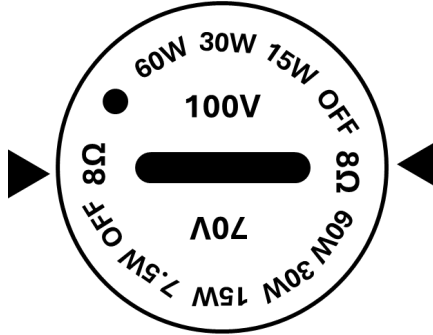
Your passive speaker features both low impedance (8Ω) and high impedance (70V/100V) modes. Understanding the difference is essential for safe installation and optimal performance.

- Plan the installation setup (low impedance or high impedance), in case of high impedance determine the rated power of the speaker.

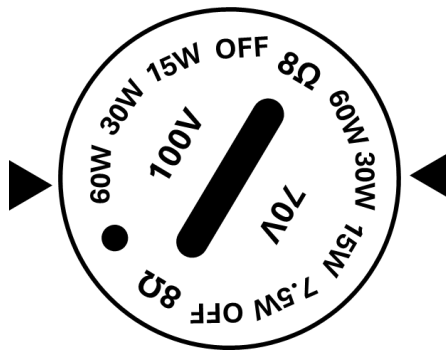
Setting up speaker power handling mode:

Your speaker includes a rotary transformer tap for setting the power handling mode.

- To set the speaker to 8Ω low impedance set the transformer tap so the 2 arrows will point at the 8Ω markings as shown in the picture:



- To set the speaker to a high impedance mode set the transformer tap to the desired power rating as shown in the picture. In this example, if the speaker will be connected to a 100V line its power rating will be 60W and if connected to a 70V line its power rating will be 30W.



- Connect the speaker cables to the terminal block and the terminal block to the speaker.



Always power off the amplifier before changing transformer tap settings or connecting the terminal connector to the speaker.



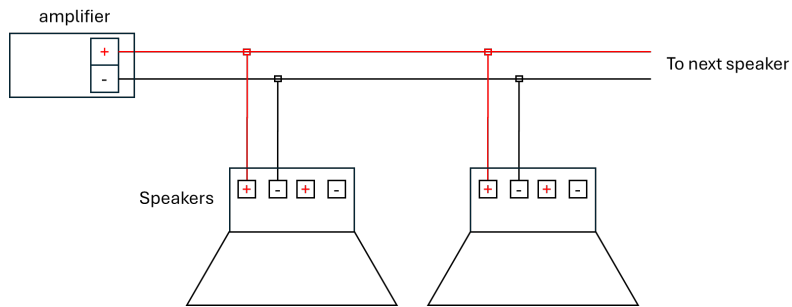
Always check amplifier compatibility before connecting (impedance setup, power ratings).



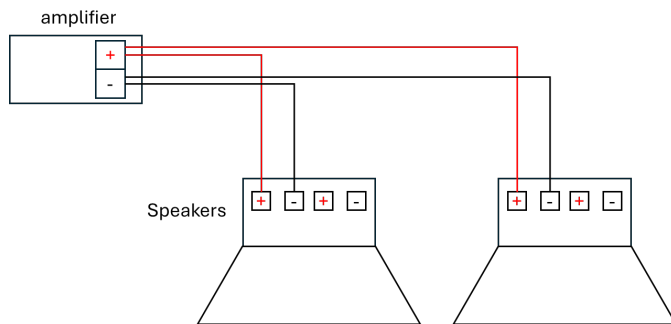
Verify that the polarity of the wiring at the amplifier side and at all the speaker is correct, we recommend using color coding: red for + and black for -.

Parallel Wiring and Daisy Chain Installations

Parallel Wiring



Parallel Wiring - Separate Cables



Daisy Chain Wiring

